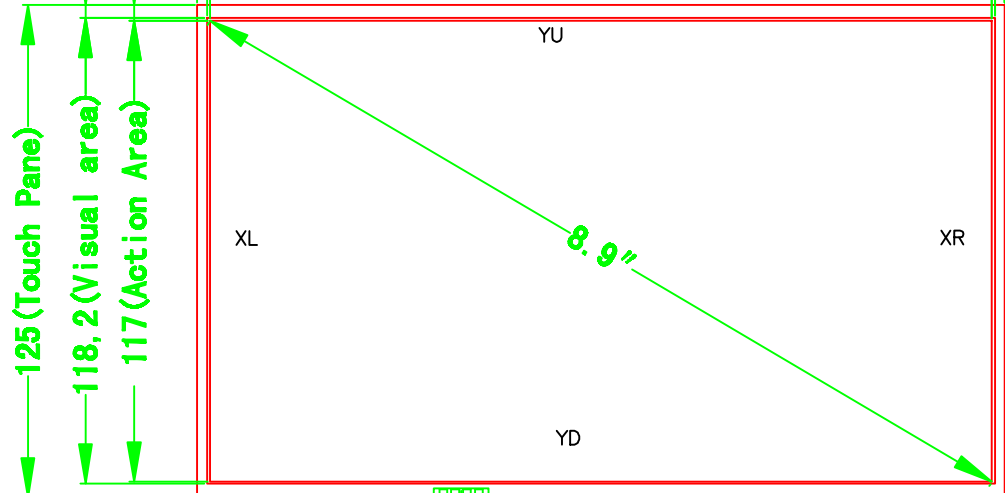
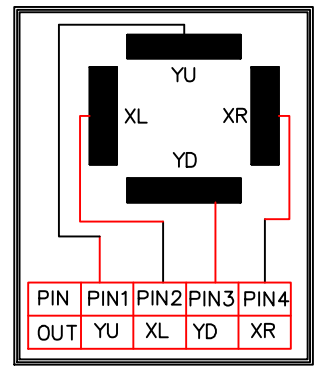


205 (Touch Pane)  
 200 (Visual area) 2, 5  
 198, 4 (Action Area) 3, 3



Thick:  $1.1 \pm 0.15$

PET 7, 5  
 hard coating anti newton ring  
 Front ITO film 0.188mm  
 Back ITO glass 0.7mm  
 Conductive 4.5



$81 \pm 0.5$ mm  
 PIN1  
 PITCH 1.0  
 5

- Instruction:
- Type: Film to Glass
  - Operating Voltage:  $\leq 10V$
  - Response Time:  $\leq 10ms$
  - Storage Temperature:  $-20^{\circ}C \sim +70^{\circ}C$
  - Operation Temperature/Humidity :  $-10^{\circ}C \sim +60^{\circ}C / 20\% \sim 95\%$
  - Hitting Life:  $>1,000,000$  Times ,250gf Force;
  - writing Life  $>100,000$  Times 250gf Force;
  - Connect Material: FPC

- Film Thickness: 0.188mm
- Glass Thickness: 0.7mm
- Light transmission:  $\geq 78\%$
- Force: 100g or more
- Linearity:  $\leq 1.5\%$
- Insulation:  $\geq 20M \Omega$
- Resistance: X:  $520 \Omega \sim 1000 \Omega$ ;  
Y170  $\Omega \sim 350 \Omega$ .
- Surface Hardness  $\geq 3H$ (pencil)

REVISIONS						
SCALE	1:1	MATERIAL	F/G		Version	1.0
UNIT	mm	TOLERANCE	$\pm 0.3mm$		NO.	1 of 1
DESIGN	Luey	DATE	20100303			
CHECK	Peter • Li	DATE	20100303			
RELEASE	Victor	DATE	20100303			