

No.	LD-22Z02G
-----	-----------

DATE 07-Jun-17  
REV. 03-Dec-10

DEVICE SPECIFICATION  
FOR  
**TFT-LCD Module**

MODEL No. **LQ121K1LG52**

These parts are complied with the RoHS directive.

- **This document is a reference specification.**
- **SHARP reserves the right to make changes in the contents described herein at any time without notice in order to improve design or reliability.**
- **Regarding final design, please order delivery specification from SHARP.**

DEVEROPMENT DEPARTMENT  
BU I BUSINESS UNIT IV  
DISPLAY DEVICE COMPANY  
SHARP CORPORATION

# RECORDS OF REVISION

LQ121K1LG52

SPEC No.	DATE	REVISI SED No	PAGE	SUMMARY	NOTE
LD-22Z02A	2010/12/3			-	
LD-22Z02B	2011/3/2	Δ1	P.9 /18	The operating temperature is changed to "0°C" ⇒ "-20°C".	
			P.9	The attention when the low temperature operates is added.	
LD-22Z02C	2013/7/12	Δ2	P.11	Min. of XSTABY and VBR was changed.	
			P.12	Max. of TV was changed. (831 ⇒ 852)	
			P.21	X direction of outline dimensions was changed. (2.0mm ⇒ 1.59mm)	
LD-22Z02D	2013/9/17	Δ3	P.3	Corresponding connectors is changed.	
LD-22Z02E	2014/2/28	Δ4	P.9,18	T <sub>OPA</sub> : -20°C~70°C ⇒ -30°C~80°C T <sub>STG</sub> : -30°C~70°C ⇒ -30°C~80°C	
LD-22Z02F	2015/6/11	Δ5	P.22	Change Fig.3(PACKING FORM) (addition of the bag)	
LD-22Z02G	2017/6/7	Δ6	P.15	Luminance of white: typ.400cd/m <sup>2</sup> ⇒ 430cd/m <sup>2</sup>	

No.		page
1	Application .....	1
2	Overview .....	2
3	Mechanical Specifications .....	2
4	Input Terminals .....	3
5	Absolute Maximum Ratings .....	9
6	Electrical Characteristics .....	10
7	Timing characteristics of input signals .....	12
8	Input Signals, Basic Display Colors and Gray Scale of Each Color ..	13
9	Optical Characteristics .....	15
10	Handling Precautions .....	17
11	Packing form .....	18
12	Reliability test items .....	18
13	Others .....	19
14	Storage conditions .....	20
Fig.1	OUTLINE DIMENSIONS .....	21
Fig.3	PACKING FORM .....	22

## 1. Application

This specification applies to the color TFT-LCD module LQ121K1LG52.

This specification is the proprietary product of SHARP CORPORATION (SHARP) and include materials protected under copyright of SHARP. Do not reproduce or cause any third party to reproduce them in any form or by any means, electronic or mechanical, for any purpose, in whole or in part, without the express written permission of SHARP.

The device listed in this specification was designed and manufactured for use in general electronic equipment.

In case of using the device for applications such as control and safety equipment for transportation (controls of aircraft, trains, automobiles, etc.), rescue and security equipment and various safety related equipment which require higher reliability and safety, take into consideration that appropriate measures such as fail-safe functions and redundant system design should be taken.

Do not use the device for equipment that requires an extreme level of reliability, such as aerospace applications, telecommunication equipment (trunk lines), nuclear power control equipment and medical or other equipment for life support.

SHARP assumes no responsibility for any damage resulting from the use of the device which does not comply with the instructions and the precautions specified in this specification .

Contact and consult with a SHARP sales representative for any questions about this device.

## 2. Overview

This module is a color active matrix LCD module incorporating amorphous silicon TFT (Thin Film Transistor). It is composed of a color TFT-LCD panel, driver ICs, control circuit, power supply circuit and a White-LED Backlight unit. Graphics and texts can be displayed on a 1280 × RGB × 800dots panel with about 16 million colors by using LVDS (Low Voltage Differential Signaling) and supplying +3.3V DC supply voltages for TFT-LCD panel driving and supply voltage for backlight.

The maximum viewing angle is in the 6o'clock direction.

The 12o'clock direction is difficult to reverse the grayscale.

The LED driver circuit is built into the module.

## 3. Mechanical technical literatures

Parameter	technical literatures	Unit
Display size	31 (12.1inch) Diagonal	cm
Active area	261.1 (H) × 163.2 (V)	mm
Pixel format	1280 (H) × 800 (V) (1pixel=R+G+B dot)	pixel
Aspect ratio	16:10	
Pixel pitch	0.204 (H) × 0.204 (V)	mm
Pixel configuration	R,G,B vertical stripe	
Display mode	Normally white	
Unit outline dimensions	278.0 (W) × 184.0 (H) × 8.6 (D)	mm
Mass	550	g
Surface treatment	Anti-glare and hard-coating 3H	

Outline dimensions are shown in Fig.1.

## 4. Input Terminals

### 4-1. TFT-LCD panel driving

CN1 (Interface signals and +3.3V power supply)

Using connectors: DF14H-20P-1.25H(56) (Hirose Electric Co., Ltd.)

Corresponding connectors: DF14-20S-1.25C(conector) (Hirose Electric Co., Ltd.)

△3 :DF14-2628SCFA(terminal) (Hirose Electric Co., Ltd.)

Using LVDS receiver: Building into cotroll IC (THC63LVDF84B (Thine electronics) or Compatible product)

Corresponding LVDS transmitter: THC63LVDM83R (Thine electronics) or Compatible product

CN1

Pin	Symbol	Function	Remark
1	VCC	+3.3V Power supply	
2	VCC	+3.3V Power supply	
3	GND	GND	
4	GND	GND	
5	RxIN0-	LVDS receiver signal CH0 (-)	LVDS
6	RxIN0+	LVDS receiver signal CH0 (+)	LVDS
7	GND	GND	
8	RxIN1-	LVDS receiver signal CH1 (-)	LVDS
9	RxIN1+	LVDS receiver signal CH1 (+)	LVDS
10	GND	GND	
11	RxIN2-	LVDS receiver signal CH2 (-)	LVDS
12	RxIN2+	LVDS receiver signal CH2 (+)	LVDS
13	GND	GND	
14	CK IN-	LVDS receiver signal CK (-)	LVDS
15	CK IN+	LVDS receiver signal CK (+)	LVDS
16	GND	GND	
17	RxIN3-	LVDS receiver signal CH3 (-)	LVDS
18	RxIN3+	LVDS receiver signal CH3 (+)	LVDS
19	RL/UD	Horizontal/Vertical display mode select signal	【*1】
20	SELLVDS	LVDS SET	【*2】

【\*1】 RL/UD = LOW

RL/UD = HIGH



【\*2】 SELLVDS is shown in 4-2.

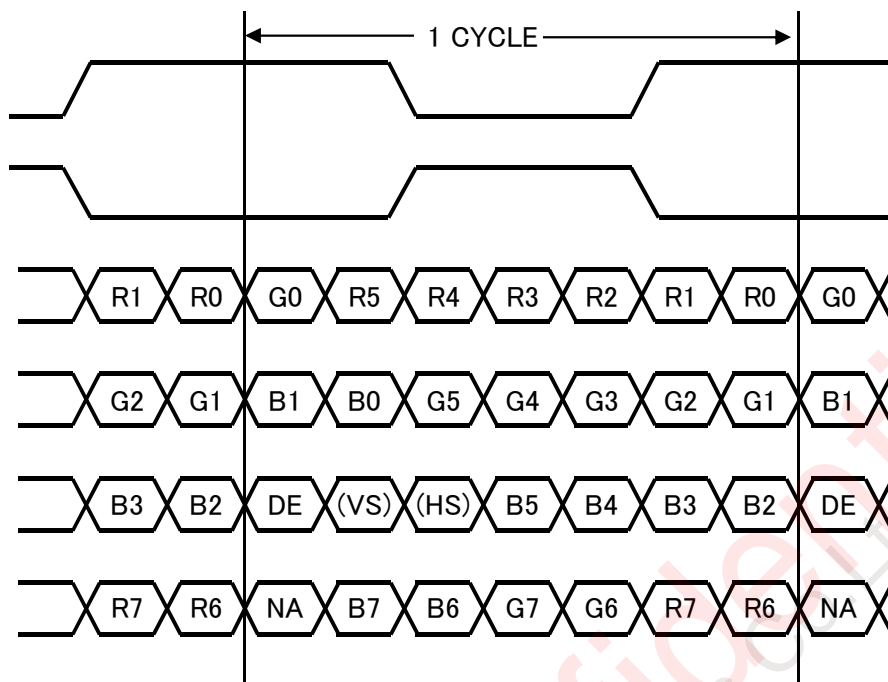
## 4-2. Data Mapping

### 1) 8 bit input

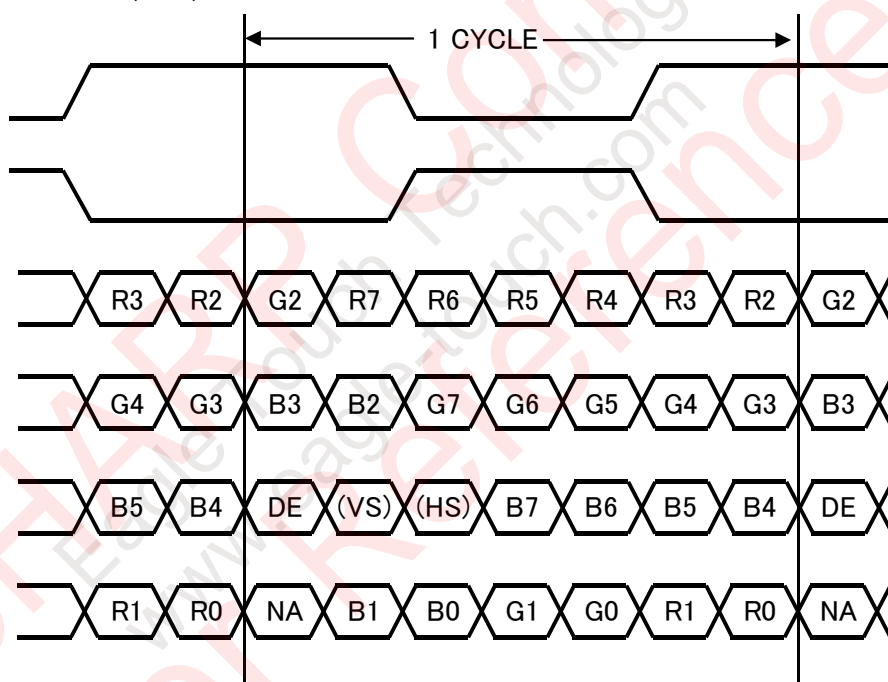
pin assignment with SELLVDS pin (THC63LVDM83R(Thine electronics) or Compatible product)

Transmitter		20Pin SELLVDS	
Pin No	Data	= L(GND) or Open	= H(3.3V)
51	TA0	R0 (LSB)	R2
52	TA1	R1	R3
54	TA2	R2	R4
55	TA3	R3	R5
56	TA4	R4	R6
3	TA5	R5	R7 (MSB)
4	TA6	G0 (LSB)	G2
6	TB0	G1	G3
7	TB1	G2	G4
11	TB2	G3	G5
12	TB3	G4	G6
14	TB4	G5	G7 (MSB)
15	TB5	B0 (LSB)	B2
19	TB6	B1	B3
20	TC0	B2	B4
22	TC1	B3	B5
23	TC2	B4	B6
24	TC3	B5	B7 (MSB)
27	TC4	(HS)	(HS)
28	TC5	(VS)	(VS)
30	TC6	DE	DE
50	TD0	R6	R0 (LSB)
2	TD1	R7 (MSB)	R1
8	TD2	G6	G0 (LSB)
10	TD3	G7 (MSB)	G1
16	TD4	B6	B0 (LSB)
18	TD5	B7 (MSB)	B1
25	TD6	(NA)	(NA)

< SELLVDS = L(GND) or Open >



< SELLVDS = H(3.3V) >



DE: DATA ENABLE

HS: Hsync

VS: Vsync

NA: Non Available

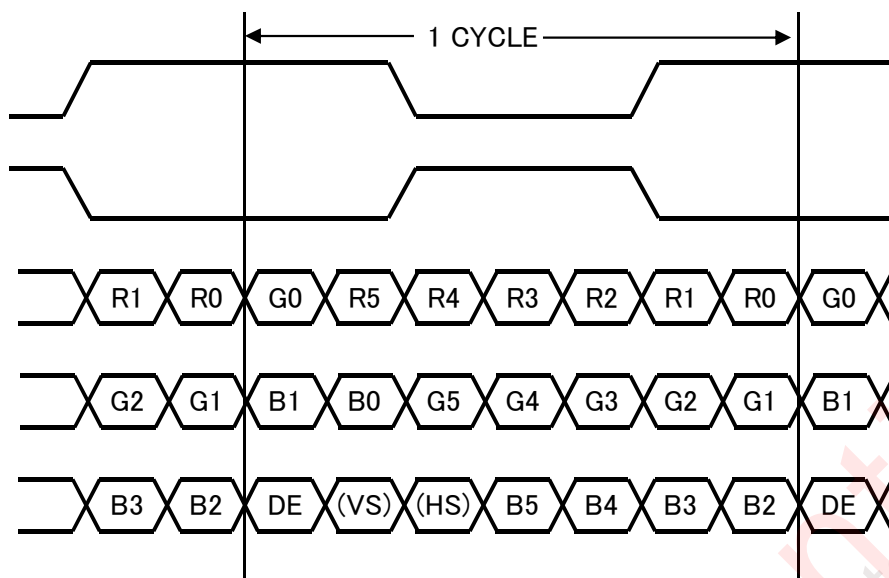


## 2) 6bit input

pin assignment with SELLVDS (THC63LVDM83R(Thine electronics) or Compatible product)

Transmitter		20Pin SELLVDS	
Pin No	Data	= L(GND) or Open	= H(3.3V)
51	TA0	-	R0 (LSB)
52	TA1	-	R1
54	TA2	-	R2
55	TA3	-	R3
56	TA4	-	R4
3	TA5	-	R5 (MSB)
4	TA6	-	G0 (LSB)
6	TB0	-	G1
7	TB1	-	G2
11	TB2	-	G3
12	TB3	-	G4
14	TB4	-	G5 (MSB)
15	TB5	-	B0 (LSB)
19	TB6	-	B1
20	TC0	-	B2
22	TC1	-	B3
23	TC2	-	B4
24	TC3	-	B5 (MSB)
27	TC4	-	(HS)
28	TC5	-	(VS)
30	TC6	-	DE
50	TD0	-	GND
2	TD1	-	GND
8	TD2	-	GND
10	TD3	-	GND
16	TD4	-	GND
18	TD5	-	GND
25	TD6	-	(NA)

&lt; SELLVDS = H(3.3V) &gt;



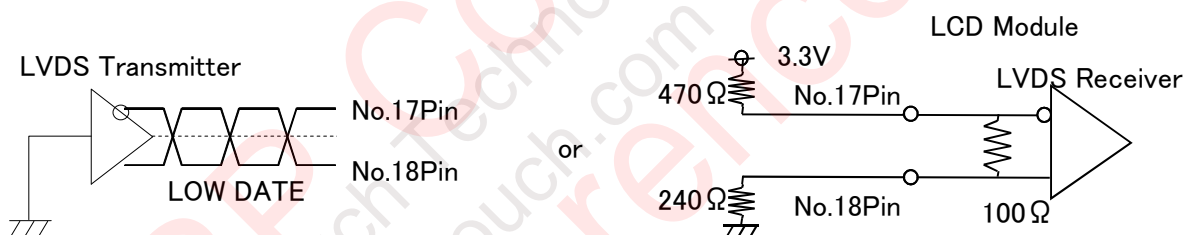
DE: DATA ENABLE

HS: Hsync

VS: Vsync

NA: Non Available

Recommended input (17pin, 18pin at 6bit )



### 4-3. LED backlight

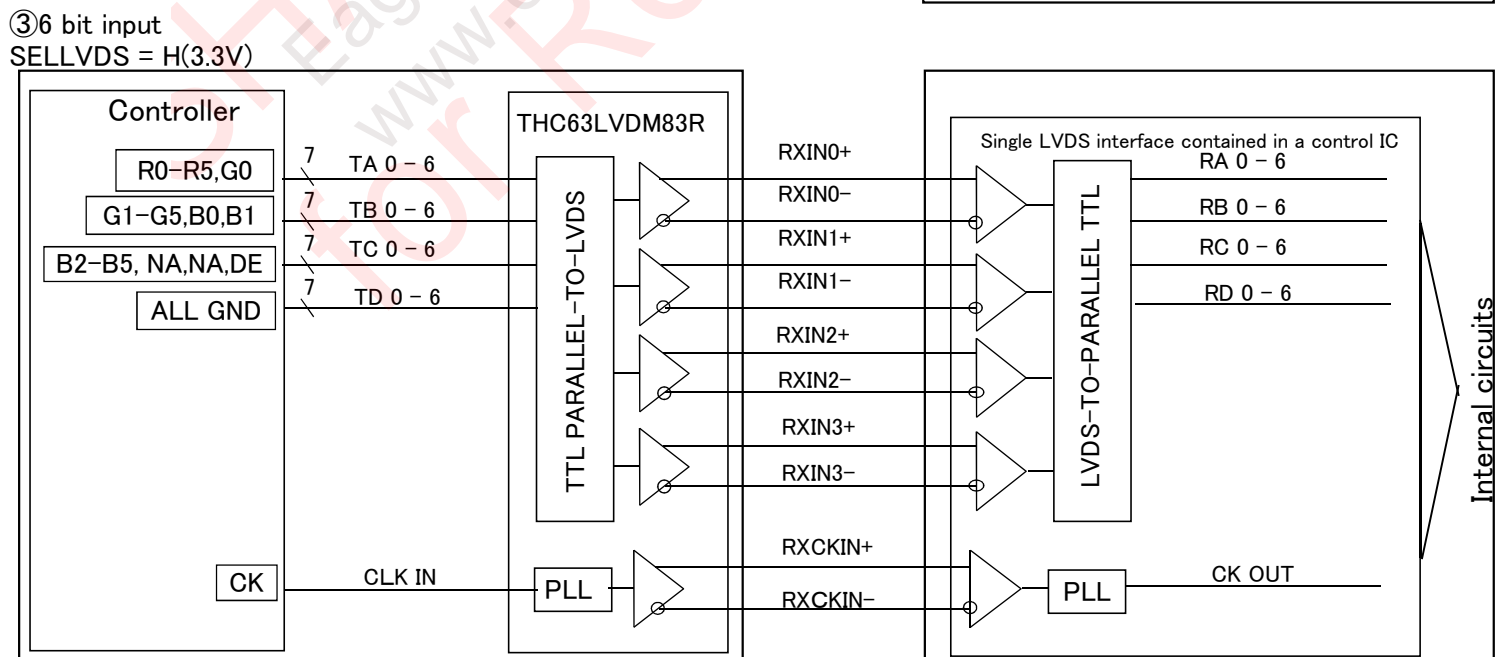
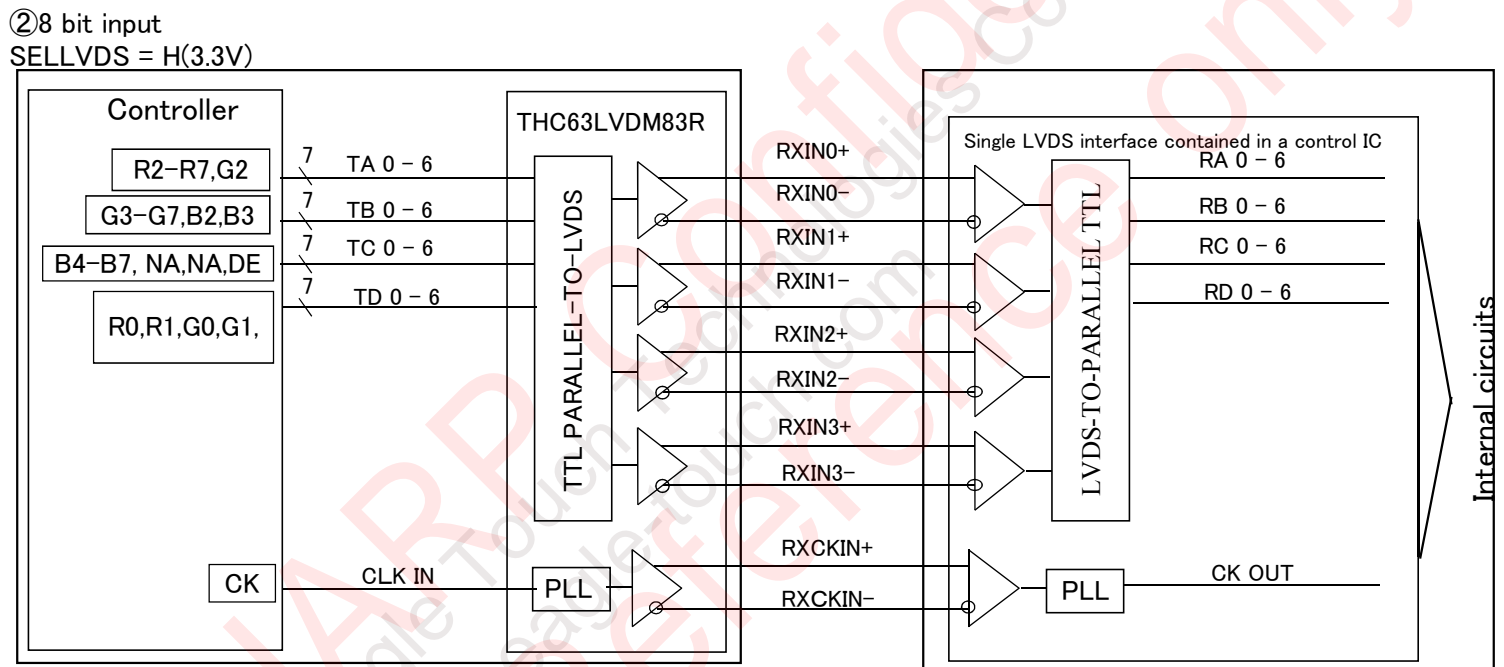
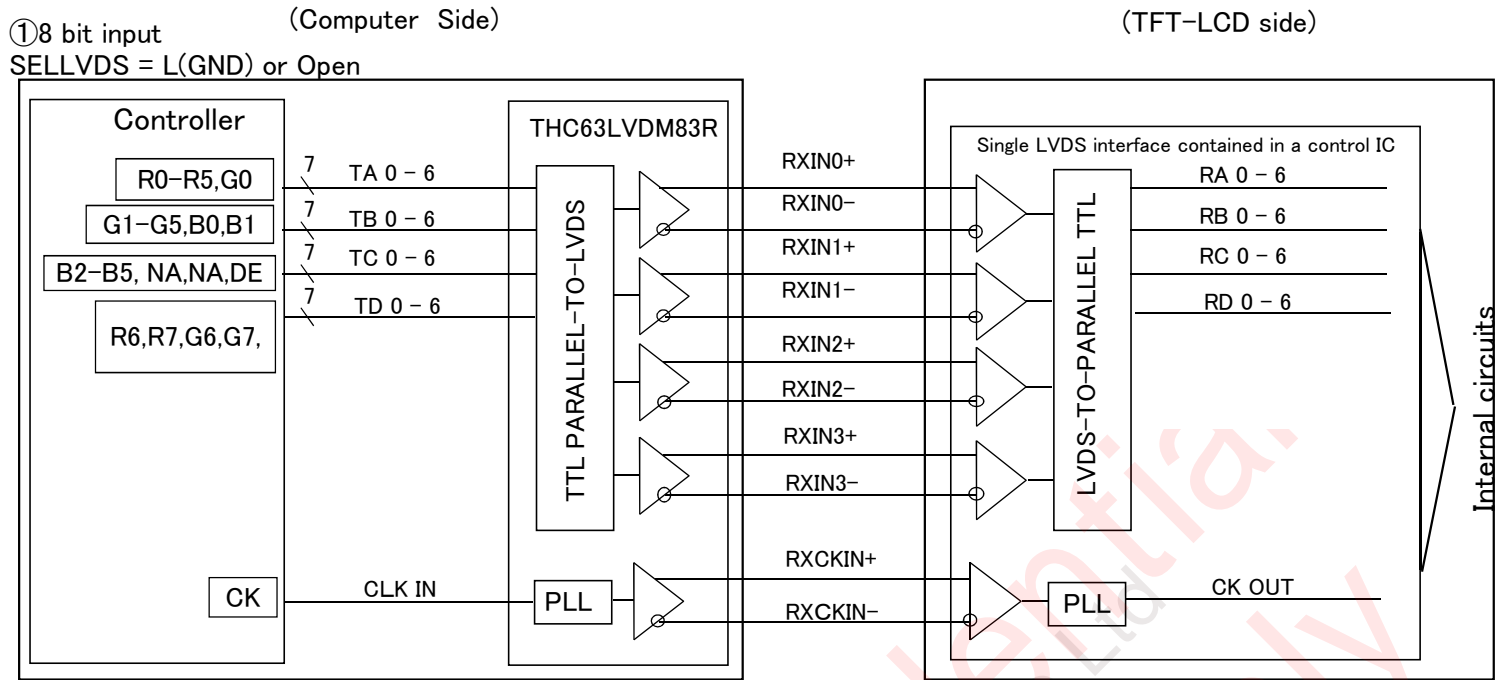
LED backlight connector

CN2 Used connector : SM06B-SHLS-TF ( J.S.T. Mfg. Co. Ltd )

Corresponding connector : SHLP-06V-S-B ( J.S.T. Mfg. Co. Ltd )

Connector No.	Pin No.	symbol	function
CN2	1	VDD	+12V power supply
	2	VDD	+12V power supply
	3	GND	GND
	4	GND	GND
	5	XSTABY	Backlight ON/OFF signal
	6	VBR	PWM signal

## 4-4. Interface block diagram



## 5. Absolute Maximum Ratings

Parameter	Symbol	Condition	Pin	Ratings	Unit	Remark
Supply voltage	V <sub>CC</sub>	T <sub>a</sub> =25°C	VCC	-0.3 ~ +4.0	V	【*1,2】
	V <sub>DD</sub>	T <sub>a</sub> =25°C	VDD	-0.3 ~ +15.0	V	【*1,2】
Input voltage	V <sub>I1</sub>	T <sub>a</sub> =25°C	RxINi-/+ CK IN-/+	-0.3~V <sub>CC</sub> +0.3	V	i=0,1,2,3
	V <sub>I2</sub>	T <sub>a</sub> =25°C	RL/UD,SELLVDS	-0.3~V <sub>CC</sub> +0.3	V	
	V <sub>I4</sub>	T <sub>a</sub> =25°C	XSTABY, VBR	-0.3~+VDD	V	
△4 Storage temperature	T <sub>STG</sub>	—	—	-30 ~ +80	°C	【*1】
△1,4 Operating temperature	T <sub>OPA</sub>	—	—	-30 ~ +80	°C	【*1,3,4】

【\*1】 Humidity: 95%RH Max.( T<sub>a</sub> ≤ 40°C ) Note static electricity.

Maximum wet-bulb temperature at 39°C or less. (T<sub>a</sub> > 40°C) No condensation.

【\*2】 The V<sub>CC</sub> power supply capacity must use the one of 2A or more.

The V<sub>CC</sub> power supply capacity must use the one of 3A or more.

【\*3】 There is a possibility of causing deterioration in the irregularity and others of the screen and the display fineness though the liquid crystal module doesn't arrive at destruction when using it at 65~80°C or -30~0°C.

There is a possibility of causing the fineness deterioration by the prolonged use in the (high temperature) humidity environment (60% or more).

【\*4】 In the operating temperature item, the low temperature side is the ambient temperature regulations.

The high temperature side is the panel surface temperature regulations.

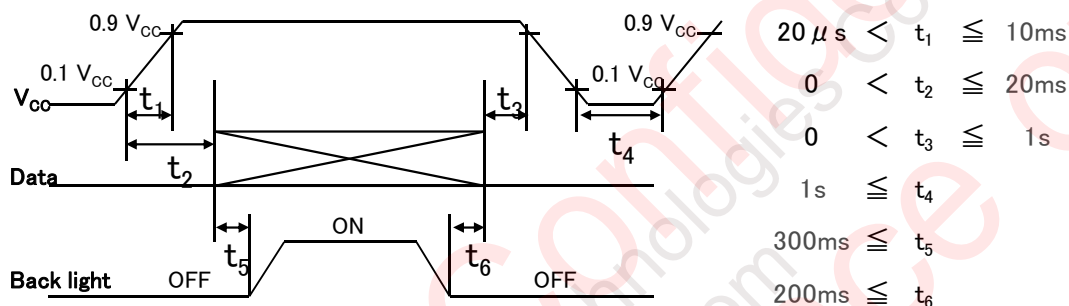
## 6. Electrical Characteristics

### 6-1. TFT-LCD panel driving

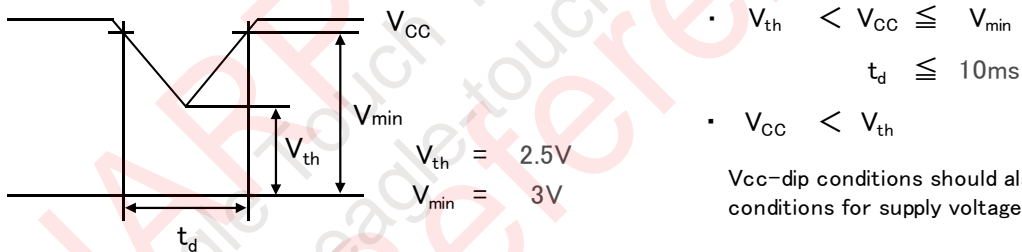
 $T_a = +25^\circ\text{C}$ 

Parameter	Symbol	Condition	Min.	Typ.	Max.	Unit	Remark
Supply voltage	$V_{CC}$		3.0	3.3	3.6	V	【*1】
Current dissipation	$I_{CC}$	$V_{CC}=3.3\text{V}$	—	450	750	mA	【*2】
Input voltage width for LVDS receiver	$V_L$		0	—	2.4	V	
Permissible input ripple voltage	$V_{RP}$		—	—	200	mV <sub>P-P</sub>	$V_{CC} = 3.3\text{V}$
Differential input Threshold voltage	High	$V_{TH}$	—	—	$V_{CM} + 100$	mV	$V_{CM} = +1.2\text{V}$ 【*3】
	Low	$V_{TL}$	$V_{CM} - 100$	—	—	mV	
Input voltage	$V_{IH}$		2.1	—	—	V	【*4】
	$V_{IL}$		—	—	0.8	V	
Input reak current	$I_{OH}$		—	—	400	$\mu\text{A}$	$V_{I2} = +3.3\text{V}$ 【*4】
	$I_{OL}$		-10	—	+10	$\mu\text{A}$	$V_{I2} = 0\text{V}$ 【*4】
Terminal resistor	$R_T$		—	100	—	$\Omega$	Differential input

#### 【\*1】 On-off conditions for supply voltage



#### Vcc-dip conditions



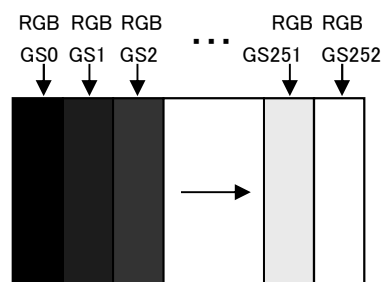
Vcc-dip conditions should also follow the On-off conditions for supply voltage

- Hsync/Vsync need not be input so that this model may drive only by the ENAB signal. Even if Hsync/Vsync is input, it doesn't become a malfunction.
- The relation between the data input and the backlight lighting will recommend the above-mentioned input sequ. When the backlight is turned on before the panel operates, there is a possibility of abnormally displaying. The liquid crystal module is not damaged.

#### 【\*2】 Current dissipation

Typical current situation : 253-gray-bar pattern

(  $V_{CC}=+3.3\text{V}$ ,  $f_{ck} = 83.5\text{MHz}$ ,  $T_a=25^\circ\text{C}$  )



#### 【\*3】 $V_{CM}$ : LVDS common mode voltage

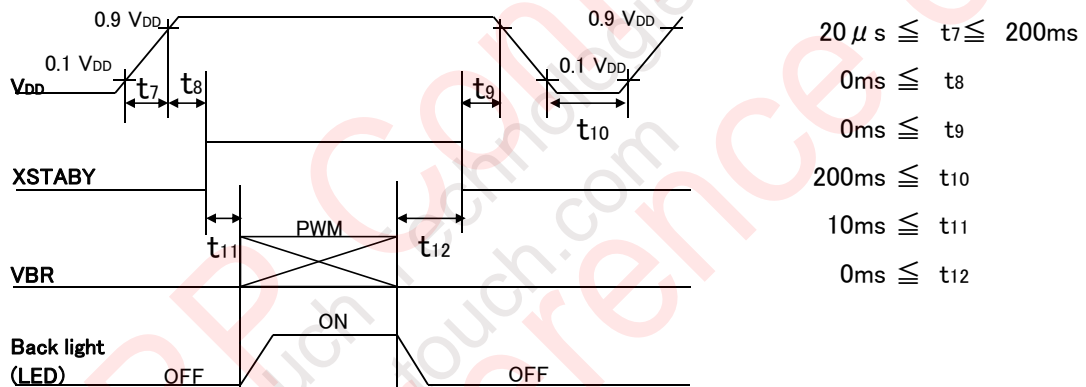
#### 【\*4】 RL/UD , SELLVDS

## 6-2. LED backlight

Ta=+25°C

Parameter	Symbol	Min.	Typ.	Max.	Unit	Remark	
Supply voltage	V <sub>DD</sub>	10.2	12.0	13.8	V	【*1】	
Current dissipation	I <sub>DD1</sub>	-	370	650	mA	【*2】	
	I <sub>DD2</sub>	-	-	10.0	μA		
Permissible input ripple voltage	V <sub>RP_BL</sub>	-	-	100.0	mV <sub>P-P</sub>	V <sub>DD</sub> =+12.0V	
Δ2 XSTABY	High voltage	V <sub>IH_BL1</sub>	2.4	-	V <sub>DD</sub>	V	【*3】
	Low voltage	V <sub>IL_BL1</sub>	-	-	0.4	V	【*3】
Δ2 VBR	High voltage	V <sub>IH_BL2</sub>	2.1	-	V <sub>DD</sub>	V	【*4】
	Low voltage	V <sub>IL_BL2</sub>	-	-	0.4	V	【*4】
PWM frequency	f <sub>PWM</sub>	200.0	-	1k	Hz	【*4,5】	
PWM duty	D <sub>PWM</sub>	10.0	-	100.0	%	【*4,5】	
Life time	L	-	(50,000) (Module)	-	h	【Reference】 【*6】	

## 【\*1】 On-off conditions for supply voltage



## 【\*2】 Current dissipation

Typ. value: V<sub>DD</sub>= +12V, Duty=100%Max. value: V<sub>DD</sub>= +10.2V, Duty=100%

## 【\*3】 XSTABY is connected by the pull-down resistor of 33kΩ.

## 【\*4】 VBR is connected by the pull-down resistor of 33kΩ.

## 【\*5】 PWM

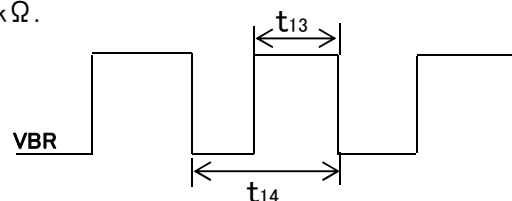
$$f_{PWM} = 1/t_{14}$$

Duty 10% : Min. Luminance (0%: LED OFF)

Duty 100% : Max. Luminance

Luminance changes in proportion to the duty ratio. ( $t_{13} \geq 500 \mu s$ )

When the frequency slows, the display fineness might decrease.



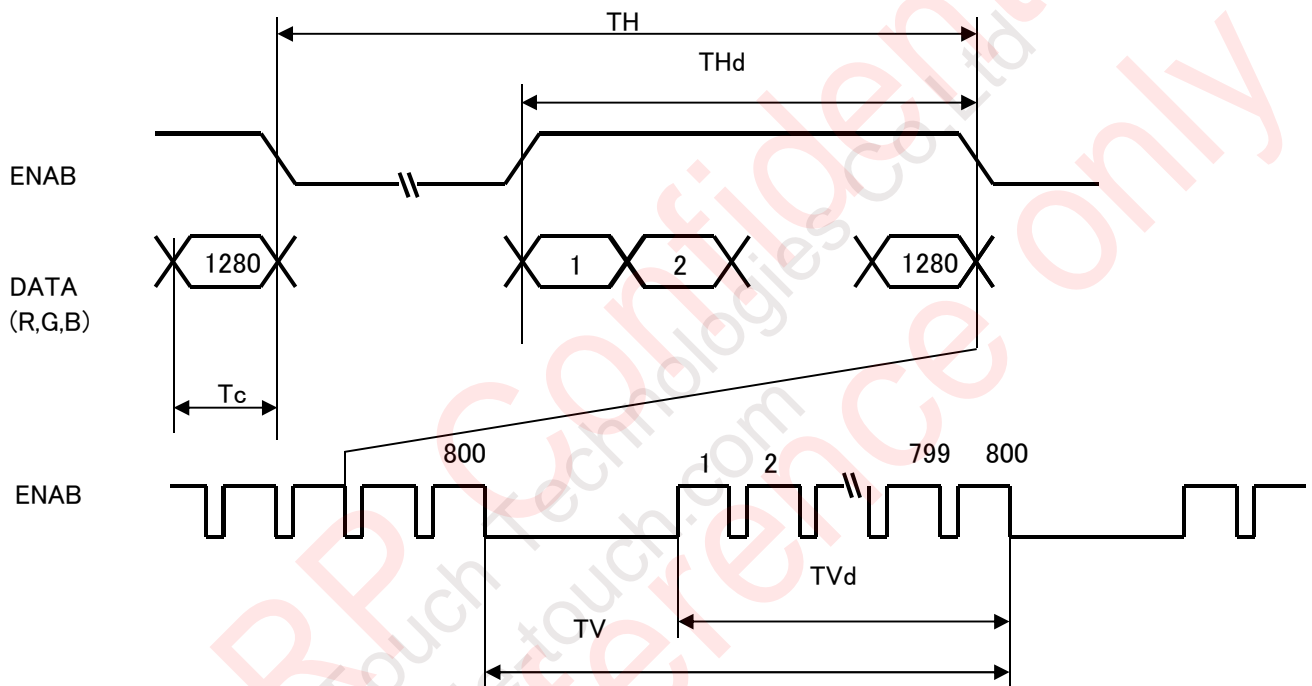
## 【\*6】 Luminance becomes 50% of an initial value. (Ta=25°C, PWM=100%)

## 7. Timing characteristics of input signals

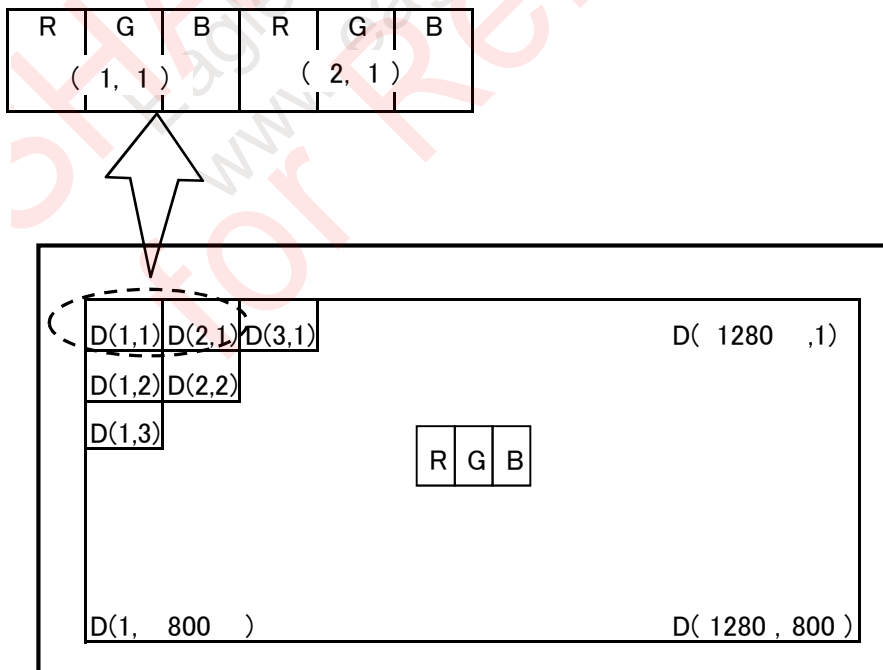
### 7-1. Timing characteristics

Parameter	Symbol	Min.	Typ.	Max.	Unit	Remark	
Clock	Frequency	1/Tc	70.0	83.5	85.0	MHz	
ENAB	Horizontal period	TH	1480	1680	1880	clock	
			17.4	20.1	-	$\mu$ s	
	Horizontal period (High)	THd	1280	1280	1280	clock	
	Vertical Frequency	TV	810	831	852	line	【*1】
			15.9	16.7	-	ms	
Vertical period (High)	TVd	800	800	800	line		

【\*1】 In case of using the long vertical period, the deterioration of display quality, flicker etc. may occur.



### 7-2. Input Data Signals and Display Position on the screen



## 8. Input Signals, Basic Display Colors and Gray Scale of Each Color

### 8-1. 8 bit input

Colors & Gray scale	Data signal																								
	Gray Scale	R0	R1	R2	R3	R4	R5	R6	R7	G0	G1	G2	G3	G4	G5	G6	G7	B0	B1	B2	B3	B4	B5	B6	B7
Basic Color	Black	—	0	0	0	0	0	0	0	0	0	0	0	0	0	0	0	0	0	0	0	0	0	0	0
	Blue	—	0	0	0	0	0	0	0	0	0	0	0	0	0	0	0	X	X	1	1	1	1	1	1
	Green	—	0	0	0	0	0	0	0	X	X	1	1	1	1	1	1	0	0	0	0	0	0	0	
	Cyan	—	0	0	0	0	0	0	0	X	X	1	1	1	1	1	1	X	X	1	1	1	1	1	
	Red	—	X	X	1	1	1	1	1	0	0	0	0	0	0	0	0	0	0	0	0	0	0	0	
	Magenta	—	X	X	1	1	1	1	1	0	0	0	0	0	0	0	0	X	X	1	1	1	1	1	
	Yellow	—	X	X	1	1	1	1	1	X	X	1	1	1	1	1	1	0	0	0	0	0	0	0	
	White	—	X	X	1	1	1	1	1	X	X	1	1	1	1	1	1	X	X	1	1	1	1	1	
Gray Scale of Red	Black	GS0	0	0	0	0	0	0	0	0	0	0	0	0	0	0	0	0	0	0	0	0	0	0	
	↑	GS1	1	0	0	0	0	0	0	0	0	0	0	0	0	0	0	0	0	0	0	0	0	0	
	Darker	GS2	0	1	0	0	0	0	0	0	0	0	0	0	0	0	0	0	0	0	0	0	0	0	
	↑	↑	↑							↑							↑								
	↓	↓	↓							↓							↓								
	Brighter	GS250	0	1	0	1	1	1	1	1	0	0	0	0	0	0	0	0	0	0	0	0	0	0	0
	↓	GS251	1	1	0	1	1	1	1	1	0	0	0	0	0	0	0	0	0	0	0	0	0	0	0
Red	GS252	X	X	1	1	1	1	1	0	0	0	0	0	0	0	0	0	0	0	0	0	0	0		
Gray Scale of Green	Black	GS0	0	0	0	0	0	0	0	0	0	0	0	0	0	0	0	0	0	0	0	0	0	0	
	↑	GS1	0	0	0	0	0	0	0	1	0	0	0	0	0	0	0	0	0	0	0	0	0	0	
	Darker	GS2	0	0	0	0	0	0	0	0	1	0	0	0	0	0	0	0	0	0	0	0	0	0	
	↑	↑	↑							↑							↑								
	↓	↓	↓							↓							↓								
	Brighter	GS250	0	0	0	0	0	0	0	0	0	1	0	1	1	1	1	1	0	0	0	0	0	0	0
	↓	GS251	0	0	0	0	0	0	0	0	1	1	0	1	1	1	1	1	0	0	0	0	0	0	0
Green	GS252	0	0	0	0	0	0	0	0	X	X	1	1	1	1	1	1	0	0	0	0	0	0	0	
Gray Scale of Blue	Black	GS0	0	0	0	0	0	0	0	0	0	0	0	0	0	0	0	0	0	0	0	0	0	0	
	↑	GS1	0	0	0	0	0	0	0	0	0	0	0	0	0	0	0	1	0	0	0	0	0	0	
	Darker	GS2	0	0	0	0	0	0	0	0	0	0	0	0	0	0	0	0	1	0	0	0	0	0	
	↑	↑	↑							↑							↑								
	↓	↓	↓							↓							↓								
	Brighter	GS250	0	0	0	0	0	0	0	0	0	0	0	0	0	0	0	0	0	1	0	1	1	1	1
	↓	GS251	0	0	0	0	0	0	0	0	0	0	0	0	0	0	0	0	1	1	0	1	1	1	1
Blue	GS252	0	0	0	0	0	0	0	0	0	0	0	0	0	0	0	0	X	X	1	1	1	1	1	

0 :Low level voltage    1 :High level voltage    X :Don't care

Each basic color can be displayed in 253 gray scales from 8 bit data signals. According to the combination of, total 24 bit data signals, the 16-million-color display can be achieved on the screen.



## 8-2. 6 bit input

	Colors & Gray scale	Data signal																		
		GrayScale	R0	R1	R2	R3	R4	R5	G0	G1	G2	G3	G4	G5	B0	B1	B2	B3	B4	B5
Basic Color	Black	—	0	0	0	0	0	0	0	0	0	0	0	0	0	0	0	0	0	0
	Blue	—	0	0	0	0	0	0	0	0	0	0	0	0	1	1	1	1	1	1
	Green	—	0	0	0	0	0	0	1	1	1	1	1	1	0	0	0	0	0	0
	Cyan	—	0	0	0	0	0	0	1	1	1	1	1	1	1	1	1	1	1	1
	Red	—	1	1	1	1	1	1	0	0	0	0	0	0	0	0	0	0	0	0
	Magenta	—	1	1	1	1	1	1	0	0	0	0	0	0	1	1	1	1	1	1
	Yellow	—	1	1	1	1	1	1	1	1	1	1	1	1	0	0	0	0	0	0
	White	—	1	1	1	1	1	1	1	1	1	1	1	1	1	1	1	1	1	1
Gray Scale of Red	Black	GS0	0	0	0	0	0	0	0	0	0	0	0	0	0	0	0	0	0	0
	↑	GS1	1	0	0	0	0	0	0	0	0	0	0	0	0	0	0	0	0	0
	Darker	GS2	0	1	0	0	0	0	0	0	0	0	0	0	0	0	0	0	0	0
	↑	↓	↓					↓					↓							
	↓	↓	↓					↓					↓							
	Brighter	GS61	1	0	1	1	1	1	0	0	0	0	0	0	0	0	0	0	0	0
	↓	GS62	0	1	1	1	1	1	0	0	0	0	0	0	0	0	0	0	0	0
Red	GS63	1	1	1	1	1	1	0	0	0	0	0	0	0	0	0	0	0	0	
Gray Scale of Green	Black	GS0	0	0	0	0	0	0	0	0	0	0	0	0	0	0	0	0	0	0
	↑	GS1	0	0	0	0	0	0	1	0	0	0	0	0	0	0	0	0	0	0
	Darker	GS2	0	0	0	0	0	0	0	1	0	0	0	0	0	0	0	0	0	0
	↑	↓	↓					↓					↓							
	↓	↓	↓					↓					↓							
	Brighter	GS61	0	0	0	0	0	0	1	0	1	1	1	1	0	0	0	0	0	0
	↓	GS62	0	0	0	0	0	0	0	1	1	1	1	1	0	0	0	0	0	0
Green	GS63	0	0	0	0	0	0	1	1	1	1	1	1	0	0	0	0	0	0	
Gray Scale of Blue	Black	GS0	0	0	0	0	0	0	0	0	0	0	0	0	0	0	0	0	0	0
	↑	GS1	0	0	0	0	0	0	0	0	0	0	0	0	1	0	0	0	0	0
	Darker	GS2	0	0	0	0	0	0	0	0	0	0	0	0	0	1	0	0	0	0
	↑	↓	↓					↓					↓							
	↓	↓	↓					↓					↓							
	Brighter	GS61	0	0	0	0	0	0	0	0	0	0	0	0	1	0	1	1	1	1
	↓	GS62	0	0	0	0	0	0	0	0	0	0	0	0	0	1	1	1	1	1
Blue	GS63	0	0	0	0	0	0	0	0	0	0	0	0	1	1	1	1	1	1	

Each basic color can be displayed in 64 gray scales from 6 bit data signals. According to the combination of total 18 bit data signals, the 262,144-color display can be achieved on the screen.

## 9. Optical Characteristics

$T_a=+25^{\circ}\text{C}$ ,  $V_{cc}=+3.3\text{V}$

Parameter		Symbol	Condition	Min.	Typ.	Max.	Unit	Remark	
Viewing angle range	Horizontal	$\theta 21, \theta 22$	CR>10	70	80	-	Deg.	【*1,2,4】	
	Vertical	$\theta 11$		45	65	-	Deg.		
		$\theta 12$		70	80	-	Deg.		
Contrast ratio		CR	optimized angle	450	800	-		【*2,4】	
Response Time	White Black	$\tau r + \tau d$	$\theta = 0^{\circ}$	-	30	-	ms	【*3,4】	
Chromaticity of White	Wx			0.260	0.310	0.360		【*4】	
	Wy			0.285	0.335	0.385			
Chromaticity of Red	Rx			-	0.630	-			
	Ry			-	0.345	-			
Chromaticity of Green	Gx			-	0.315	-			
	Gy			-	0.630	-			
Chromaticity of Blue	Bx			-	0.150	-			
	By			-	0.075	-			
Luminance of white		$Y_{L1}$			320	430	-		cd/m <sup>2</sup>
White Uniformity				-	-	1.33			【*5】

△6

※The measurement shall be executed 30 minutes after lighting at rating.

The optical characteristics shall be measured in a dark room or equivalent state with the method shown in Fig.2 below.

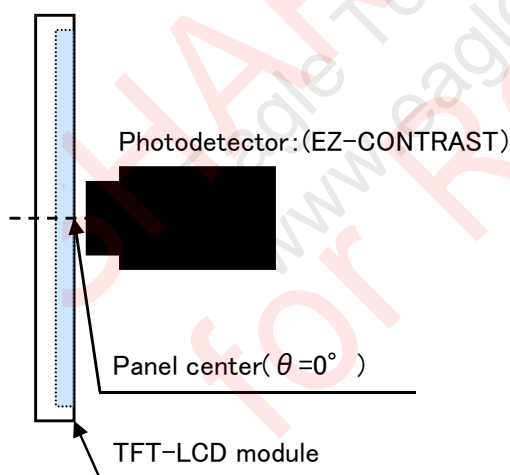


fig.2-1 Measuring method of Viewing angle range.

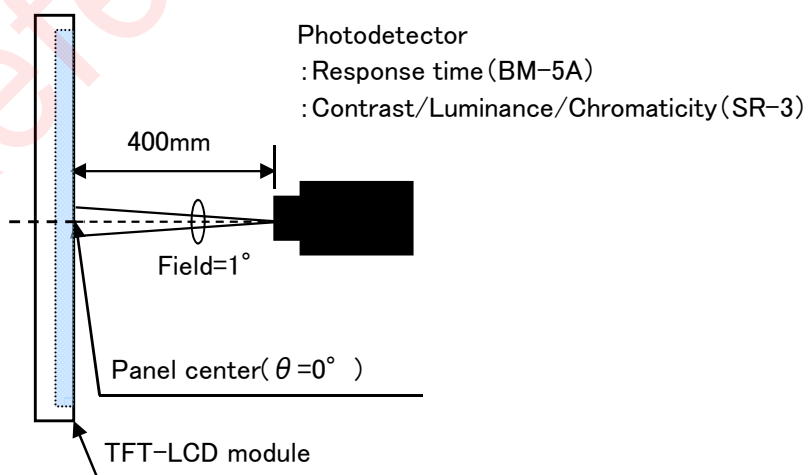
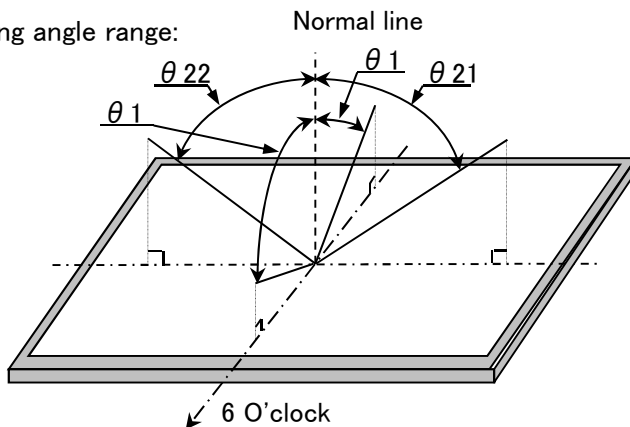


fig.2-2 Measuring method of contrast, luminance, response time, and Chromaticity.

Fig.2 Optical characteristics measurement method

【\*1】Definitions of viewing angle range:

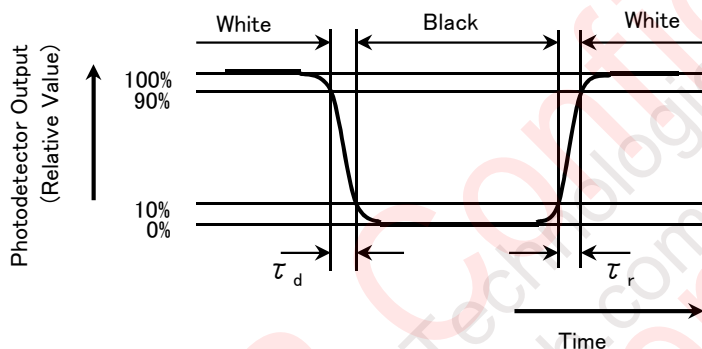


【\*2】Definition of contrast ratio:

The contrast ratio is defined as the following.  $Contrast (CR) = \frac{\text{Luminance with all pixels white}}{\text{Luminance with all pixels black}}$

【\*3】Definition of response time:

The response time is defined as the following figure and shall be measured by switching the input signal for "black" and "white".



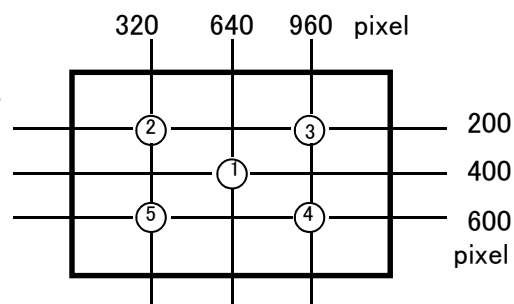
【\*4】This shall be measured at center of the screen.

【\*5】Definition of white uniformity:

White uniformity is defined as the following with five measurements.

(①~⑤)

$$\delta_w = \frac{\text{Maximum luminance of 5 points(①~⑤)}}{\text{Minimum luminance of 5 points(①~⑤)}}$$



## 10. Handling Precautions

- a) Be sure to turn off the power supply when inserting or disconnecting the cable.
- b) Since the front polarizer is easily damaged, pay attention not to scratch it.
- c) Wipe off water drop immediately. Long contact with water may cause discoloration or spots.
- d) When the panel surface is soiled, wipe it with absorbent cotton or other soft cloth.
- e) Since the panel is made of glass, it may break or crack if dropped or bumped on hard surface.  
Handle with care.
- f) Since CMOS LSI is used in this module, take care of static electricity and injure the human earth when handling. Observe all other precautionary requirements in handling components.
- g) Since there is a circuit board in the module back, stress is not added at the time of a design assembly. Please make it like. If stress is added, there is a possibility that circuit parts may be damaged.
- h) It causes an irregular display and the defective indication, etc., when always put constant pressure on the back of the module.  
Please do not make the structure to press the back of the module.
- i) Do not expose the LCD panel to direct sunlight. Lightproof shade etc. should be attached when LCD panel is used under such environment.
- j) Connect GND to stabilize against EMI and external noise.
- k) When handling LCD modules and assembling them into cabinets, please avoid that long-terms storage in the environment of oxidization or deoxidization gas and the use of such materials as reagent, solvent, adhesive, resin, etc. which generate these gasses, may cause corrosion and discoloration of the modules. Do not use the LCD module under such environment.
- l) Liquid crystal contained in the panel may leak if the LCD is broken. Rinse it as soon as possible if it gets inside your eye or mouth by mistake.
- m) Be careful when using it for long time with fixed pattern display as it may cause accidental image.
- n) Adjusting volume have been set optimally before shipment, so do not change any adjusted value. If adjusted value is changed, the specification may not be satisfied.
- o) If a minute particle enters in the module and adheres to an optical material, it may cause display non-uniformity issue, etc. Therefore, fine-pitch filters have to be installed to cooling and inhalation hole if you intend to install a fan.
- p) The polarizer surface on the panel is treated with Anti-Glare for low reflection. In case of attaching protective board over the LCD, be careful about the optical interface fringe etc. which degrades display quality.
- q) Notice : Never take to pieces the module , because it will cause failure.  
Please do not peel off the Black tape pasted to the product.
- r) An abnormal display by changing in quality of the polarizing plate might occur regardless of contact or no contact to the polarizing plate, because of epoxy resin (amine system curing agent) that comes out from the material and the packaging material used for the set side, the silicon adhesive (dealcoholization system and oxime system), and the tray blowing agents (azo-compound), etc.  
Please confirm adaptability with your employed material.

## 11. Packing form

- a) Piling number of cartons : MAX. 5
- b) Package quantity in one carton: 20pcs
- c) Carton size(TYP): 460mm(W) × 426mm(D) × 341mm(H)
- d) Total mass of one carton filled with full modules(20pcs): 14kg

## 12. Reliability test items

No.	Test item	Conditions	Remark
△4	1 High temperature storage test	Ambient temperature 80°C 240H	【Note1】
	2 Low temperature strage test	Ambient temperature -30°C 240H	【Note1】
	3 High temperature & high humidity operation test	Ambient temperature 40°C、Humidity 95% RH 240H (No condensation.)	【Note1】
△4	4 High temperature operation test	Panel surface 80°C 240H	【Note1】
△1	5 Low temperature operation test	Ambient temperature -30°C 240H	【Note1】
	6 Vibration test	<Sin wave> Frequency : 10~57Hz/Vibration width (one side) : 0.076mm : 57~500Hz/Gravity: 9.8m/s <sup>2</sup> Sweep time: 11minutes Test period : 3H(X, Y, Z direction 1H)	【Note1】
	7 Shock test	Max. gravity: 490m/s <sup>2</sup> Pulse width: 11ms Direction: ±X, ±Y, ±Z Test period : 1time/1direction	【Note1】
△1,4	8 Thermal shock test	-30°C[0.5h]~80°C[0.5h]/50cycles	【Note1】

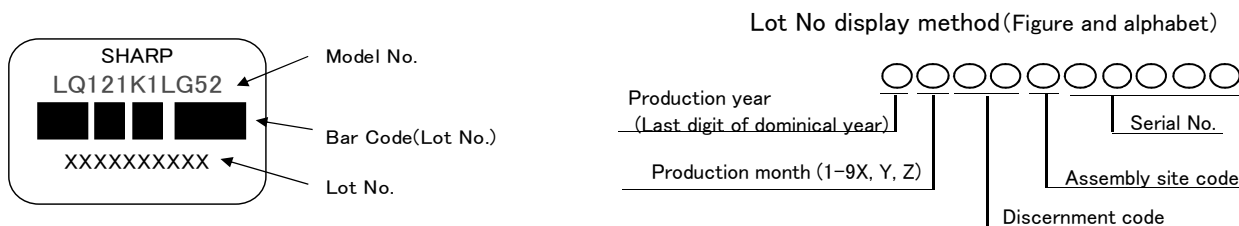
【Note1】 Under the display quality test conditions with normal operation state, these shall be no change which may affect practical display function. (normal operation state: Temperature:15~35°C, Humidity:45~75%, Atmospheric pressure:86~106kpa)

## 13. Others

### 13-1. Lot No Label:

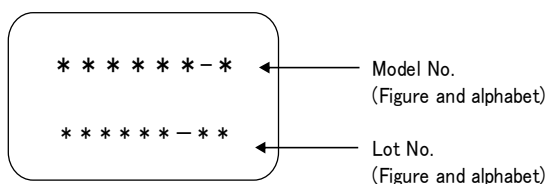
#### A) Module serial label

The label that displays SHARP·Model No.( LQ121K1LG52)·Lot No. is stuck on the back of the module.



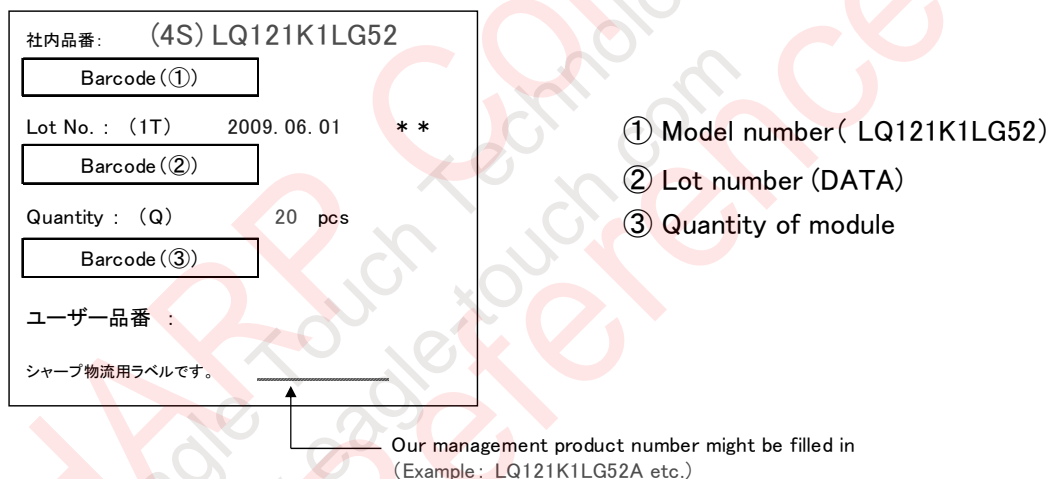
#### B) Backlight serial label

The label that displays the model No. and lot No. for the backlight is stuck on the back of the module.



### 13-2. Packing box Label:

The label that displays ①Model number( LQ121K1LG52) ②Lot number ③Quantity of module is stuck on the packing box. Moreover, the display of bar code also applies to this.



A right picture is written to the packing box of module for the RoHS restriction.

※ R.C.(RoHs Compliance)means these parts have corresponded with the RoHs directive.

This module corresponds from the first sample to RoHS Directive.

**R.C.**

### 13-3. The ozone-depleting substances is not used.

### 13-4. If any problem occurs in relation to the description of this specification , it shall be resolved through discussion with spirit of cooperation.

## 14. Storage conditions

Environmental condition range of storage temperature and humidity

Temperature 0 to 40 degrees Celsius

Relative humidity 95% and below

【Note】Please refer below as a mean value of the environmental conditions.

Summer time temperature 20 to 35 degrees Celsius humidity , 85% and below

Winter time temperature 5 to 15 degrees Celsius humidity , 85% and below

Please maintain within 240 hours of accumulated length of storage time, with conditions of 40 degrees Celsius and room humidity of 95%.

Direct sun light

Please keep the product in a dark room or cover the product to protect from direct sun light.

Atmospheric condition

Please refrain from keeping the product with possible corrosive gas or volatile flux.

Prevention of dew

Please store the product carton either on a wooden pallet or a stand / rack to prevent dew.

Do not place directly on the floor. In addition, to obtain moderate ventilation in between the pallet's top and bottom surfaces, pile the cartons up in a single direction and in order.

Please place the product cartons away from the storage wall.

Storage period

Within above mentioned conditions, maximum storage period should be one year.

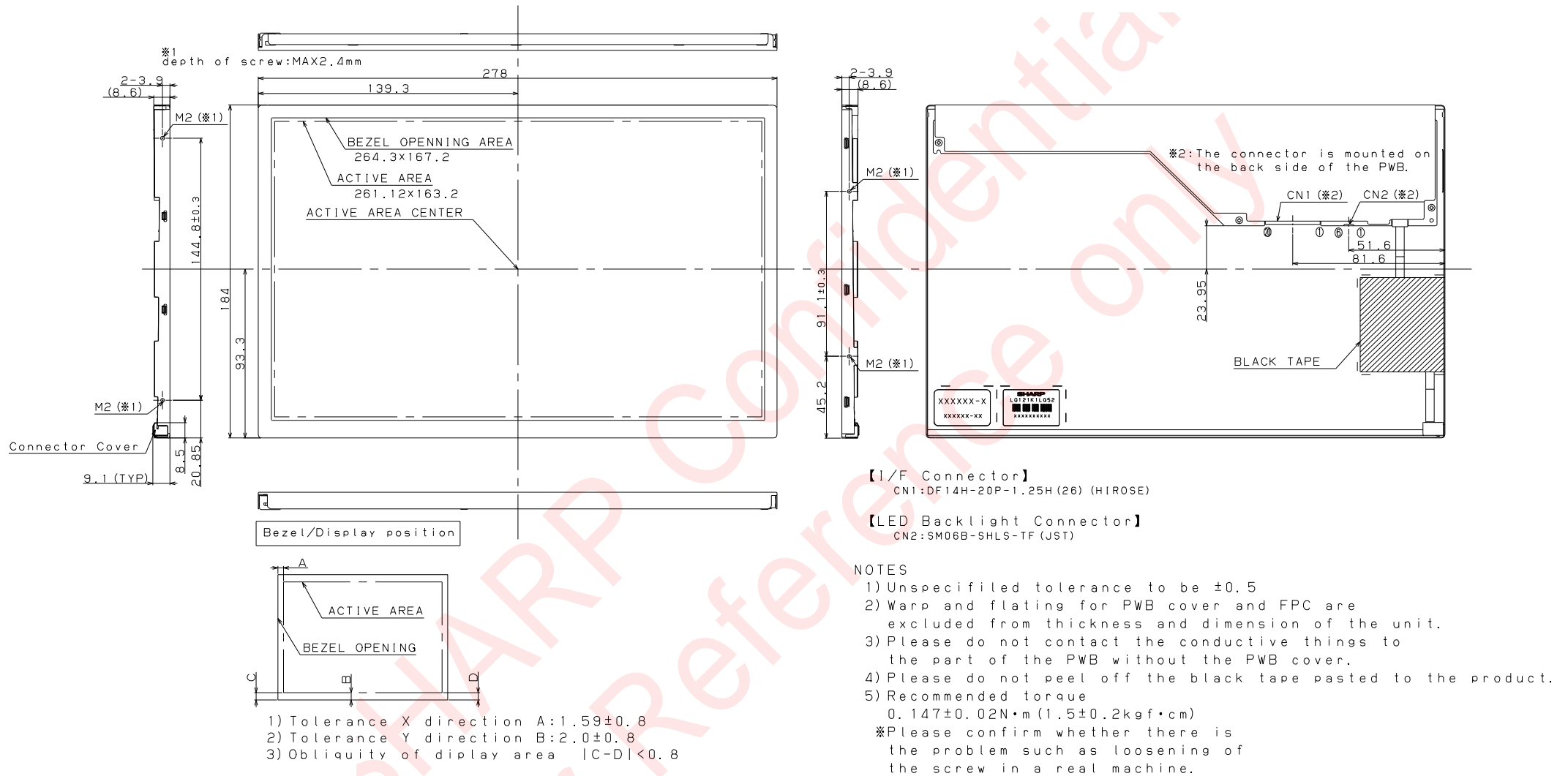
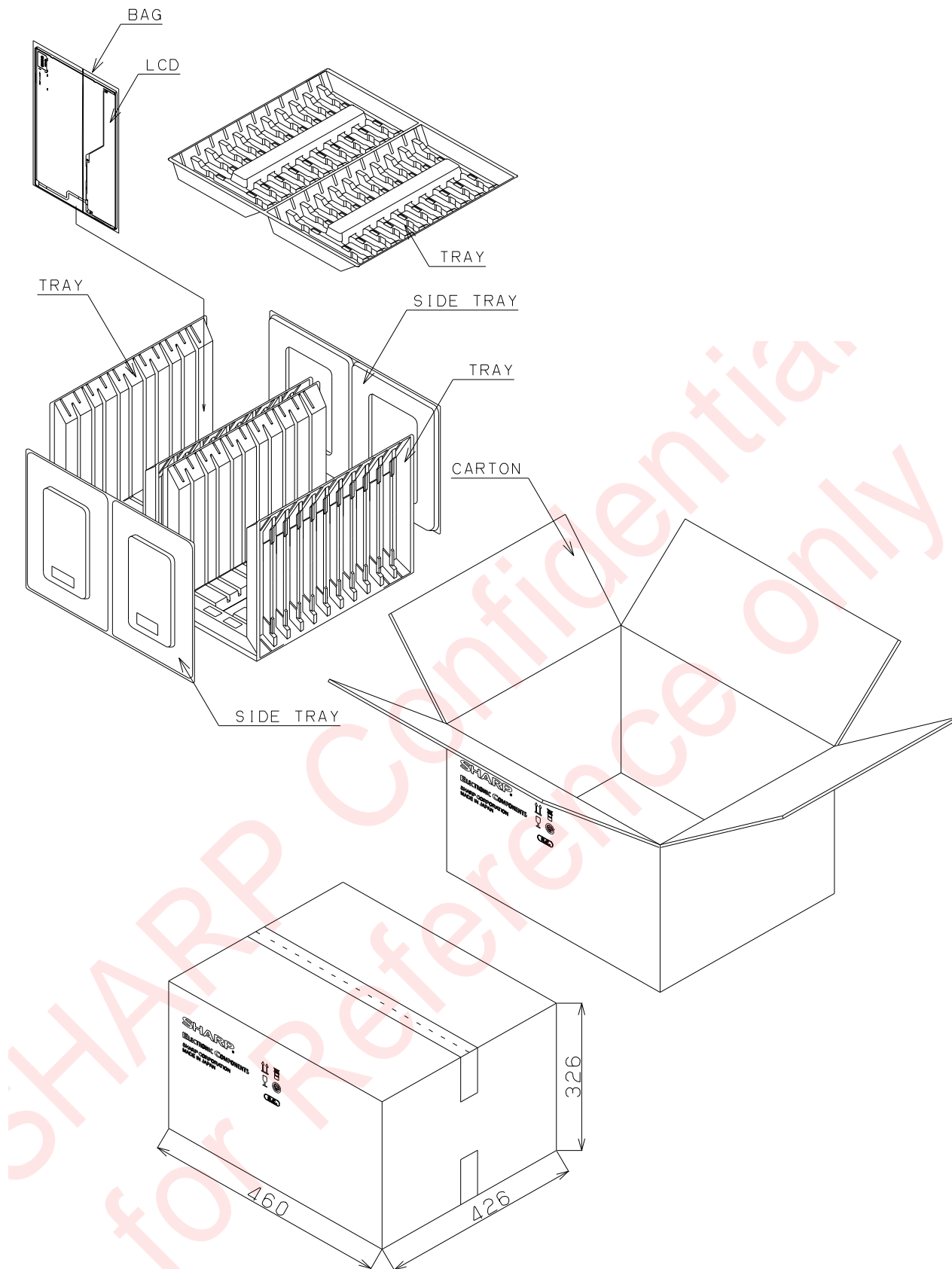


Fig. 1 : LQ121K1LG52 OUTLINE DIMENSIONS





△5

Fig.3 : PACKING FORM