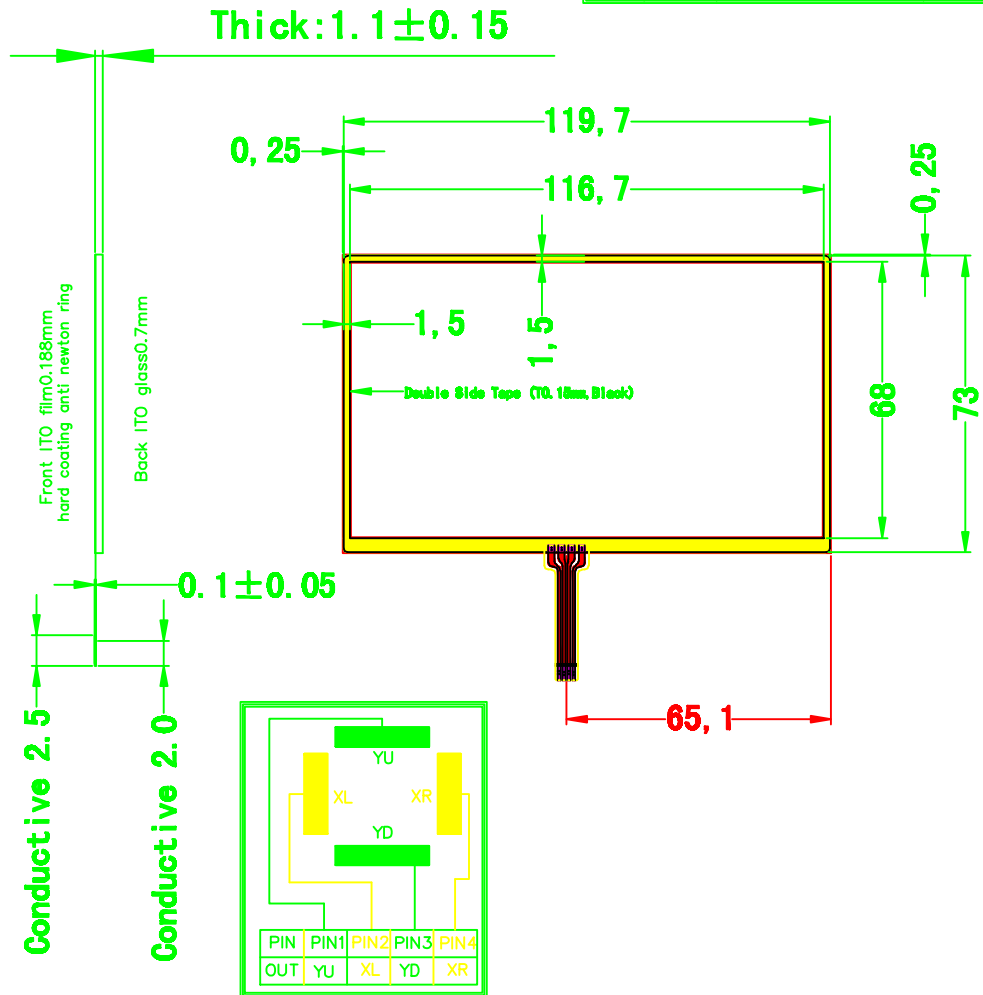
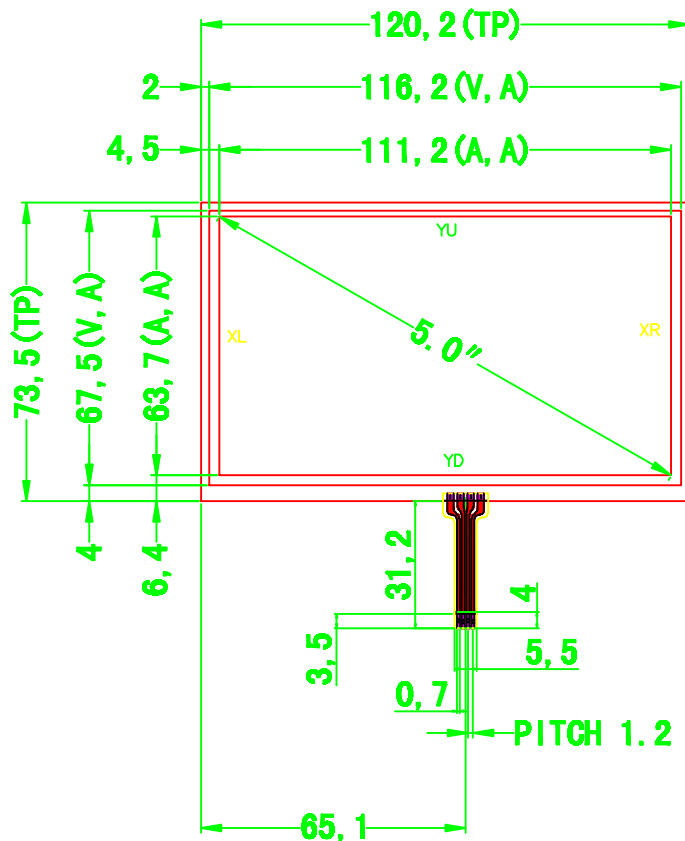


由 Autodesk 教育版产品制作

Version	MARK	MODIFY	DATE
2.0	A	FPC	20090909



Instruction:

- 1.Type:Film to Glass
- 2.Operating Voltage: ≤10V
- 3.Response Time: ≤10ms
- 4.Storage Temperature: -20℃~+70℃
- 5.Operation Temperature/Humidity : -10℃~+60℃/ 20%~95%
- 6.Hitting Life:>1,000,000 Times ,250gf Force;
- 7.writing Life>100,000 Times 250gf Force;
- 8.Connect Material:FPC

- 9.Film Thickness: 0.188mm
- 10.Glass Thickness: 0.7mm
- 11.Light transmission: ≥78%
- 12.Force: 100g or more
- 13.Linearity: ≤1.5%
- 14.Insulation: ≥20M Ω
- 15.Resistance: X: 500 Ω~1000 Ω;
Y: 180 Ω~330 Ω.
- 16.Surface Hardness ≥3H(pencil)

4050A3

REVISIONS

SCALE	1:1	MATERIAL	F/G	Version	2.0
UNIT	mm	TOLERANCE	±0.3m	NO.	1 of 1
DESIGN	Lucy	DATE	20090901		
CHECK	Peter + Li	DATE	20090901		
RELEASE	Victor	DATE	20090901		