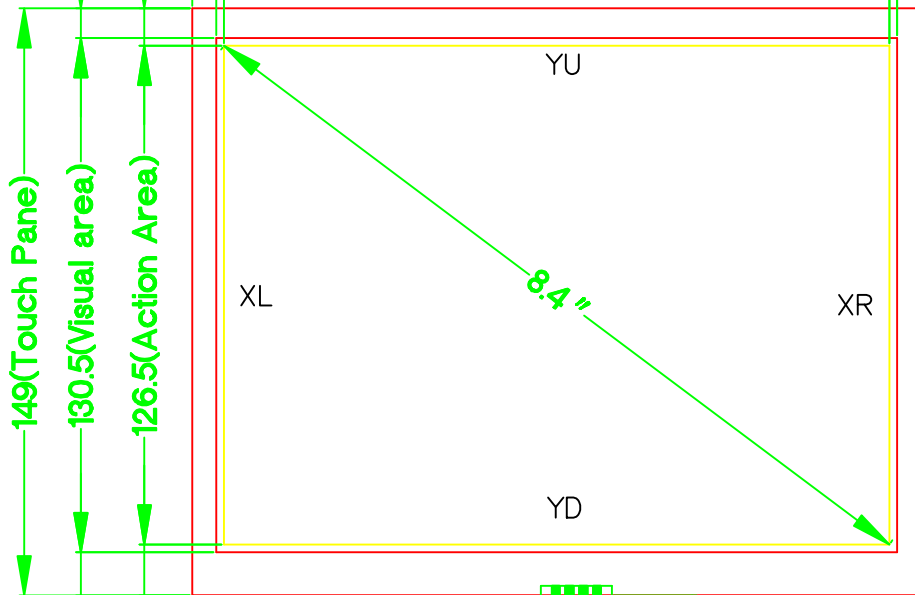


184,8(Touch Pane)
 172.8(Visual area)
 168.8(Action Area)

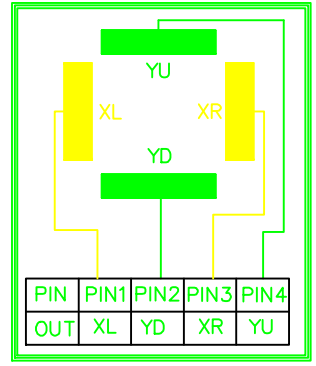
7,5
 9,5
 149(Touch Pane)
 130.5(Visual area)
 126.5(Action Area)

6
 8



Thick:1.4±0.15

Front ITO film 0.188mm
 hard coating anti newton ring
 Back ITO glass 1.1mm



Instruction:
 1.Type: Film to Glass
 2.Operating Voltage: ≤10V
 3.Response Time: ≤10ms
 4.Storage Temperature: -20℃~+70℃
 5.Operation Temperature/Humidity : -10℃~+60℃/ 20%~95%
 6.Hitting Life:>1,000,000 Times ,250gf Force;
 7.writing Life>100,000 Times 250gf Force;
 8.Connect Material:FPC+PIN

PITCH 2.54

9.Film Thickness:0.188mm
 10.Glass Thickness:1.1mm
 11.Light transmission: ≥78%
 12.Force:100g or more
 13.Linearity: ≤1.5%
 14.Insulation: ≥20MΩ
 15.Resistance: X: 410Ω~700Ω
 Y: 220Ω~380Ω
 16.Surface Hardness ≥3H(pencil)

REVISIONS						
SCALE	1:1	MATERIAL	F/G		Version	1.0
UNIT	mm	TOLERANCE	±0.3mm		NO	1 1
DESIGN	Lucy	DATE	2009050			
CHECK	Peter • LJ	DATE	2009050			
RELEASE	Victor	DATE	2009050			

5
 4
 3
 2
 1

5
 4
 3
 2
 1

G F E D C B A

G F E D C B A