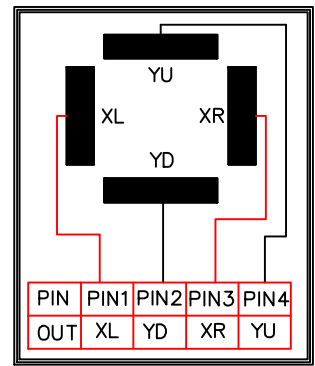


- Instruction:
- 1.Type: Film to Glass
 - 2.Operating Voltage: ≤10V
 - 3.Response Time: ≤10ms
 - 4.Storage Temperature: -20℃~+70℃
 - 5.Operation Temperature/Humidity : -10℃~+60℃/ 20%~95%
 - 6.Hitting Life:>1,000,000 Times ,250gf Force;
 - 7.writing Life>100,000 Times 250gf Force;
 - 8.Connect Material:FPC
 - 9.Film Thickness:0.188mm
 - 10.Glass Thickness:1.1mm
 - 11.Light transmission: ≥78%
 - 12.Force:100g or more
 - 13.Linearity: ≤1.5%
 - 14.Insulation: ≥20M Ω
 - 15.Resistance: X: 520 Ω~1000 Ω;
Y170 Ω~350 Ω.
 - 16.Surface Hardness ≥3H(pencil)



REVISIONS						
SCALE	1:1	MATERIAL	F/G		Version	1.0
UNIT	mm	TOLERANCE	±0.3mm		NO.	1 of 1
DESIGN	Lusy	DATE	2010041			
CHECK	Peter • Li	DATE	2010041			
RELEASE	Vietor	DATE	2010041			